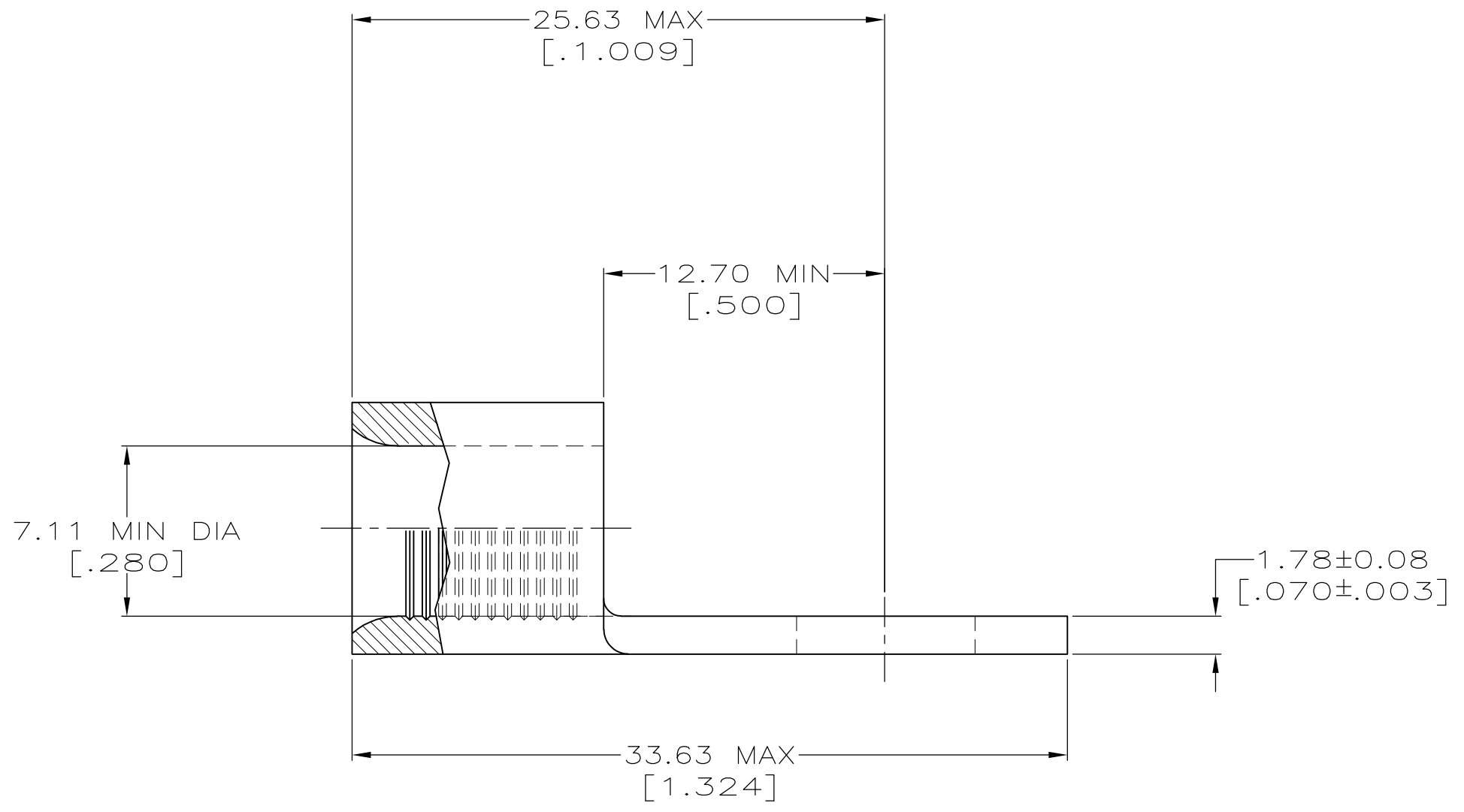


AMP WIRE RANGE	Listed
4 AWG SOLID OR STRANDED	4 AWG STRANDED
LR7189 Certified	MILITARY P/N AND CLASS
4 AWG SOLID OR STRANDED	MS20659-132 CLASS 2

STAMP AMP 4W* 40-50
LOCATED APPROX AS SHOWN



AMP INCORPORATED CUSTOMER SERVICE SYSTEMS		MAX RECOMMENDED OPERATING TEMPERATURE: 170° C MAX
FOR ADDITIONAL PRODUCT INFORMATION OR COPIES OF DRAWINGS AND TECHNICAL DOCUMENTS	PRODUCT INFORMATION CENTER 1-800-522-6752	VOLTAGE RATING: NOT APPLICABLE
FOR APPLICATION TOOLING INFORMATION	TOOLING ASSISTANCE CENTER 1-800-722-1111	WIRE CROSS SECTIONAL AREA RANGE: 16.8-26.7MM ² [33,100-52,600] CIR MILS SOLID OR STRANDED
FOR ORDER ENTRY	1-800-526-5142	

500	ON TAPE, REEL	2-33115-4
--	LOOSE PIECE	33115
QUANTITY	PACKAGE TYPE	PART NUMBER

THIS DRAWING IS A CONTROLLED DOCUMENT.		DWN TA BRINKMAN 3-29-93	TE Connectivity
DIMENSIONS: mm[INCHES]		CHK DA PATTERSON 3-29-93	
TOLERANCES UNLESS OTHERWISE SPECIFIED:		APVD DE MILLER 3-29-93	NAME TERMINAL, RING, TONGUE, SOLISTRAND™
0 PLC ± - 1 PLC ± - 2 PLC ± - 3 PLC ± - 4 PLC ± - ANGLES ± ± -		PRODUCT SPEC APPLICATION SPEC	SIZE A2
MATERIAL COPPER PER ASTM B-152 ANNEALED		FINISH TIN PLATE 0.0025[.000100] MIN THK PER ASTM B 545	WEIGHT --
		CUSTOMER DRAWING	RESTRICTED TO --
		SCALE 4:1	DRAWING NO 00779-33115
		SHEET 1 OF 1	REV H1